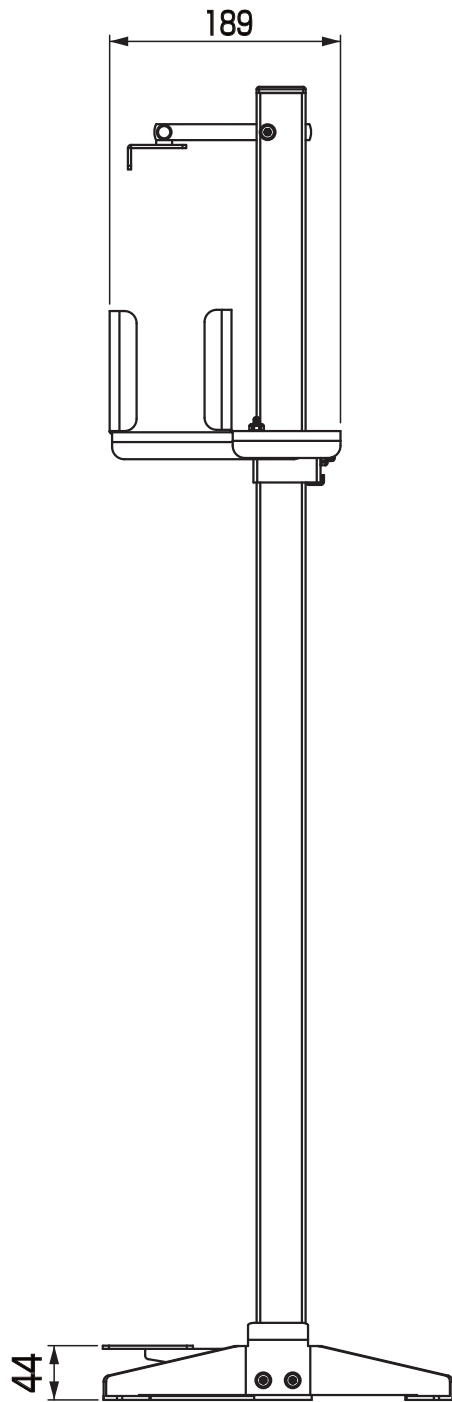
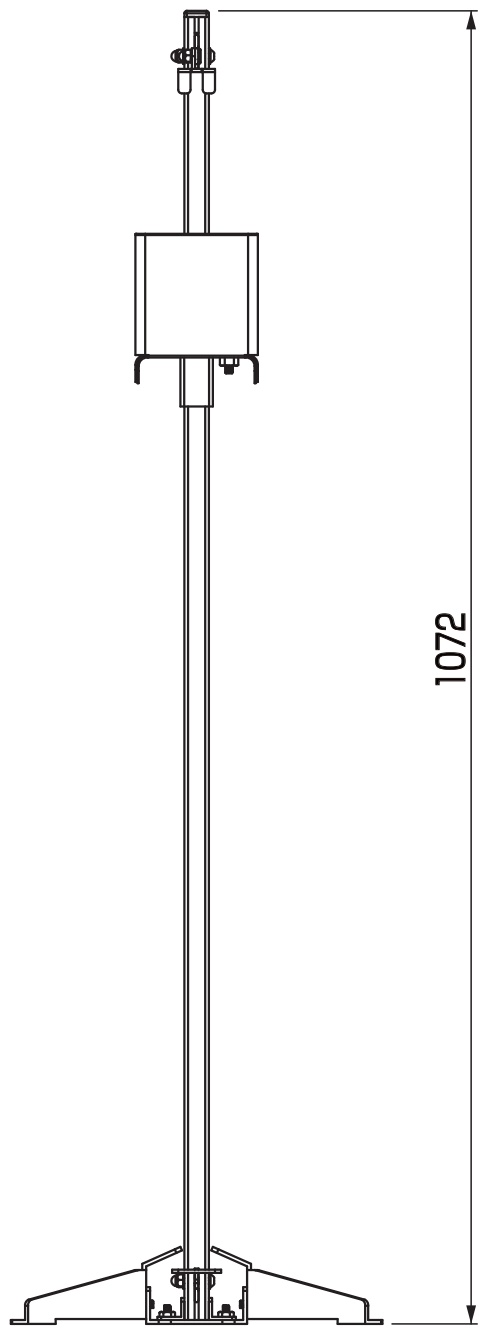
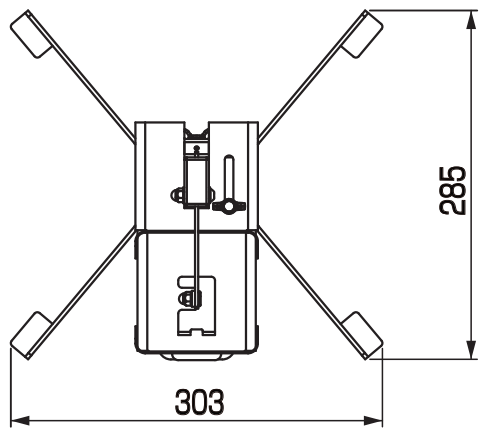


# IPF DS-AL2 DIMENSION



# IPF DS-AL3 DIMENSION

